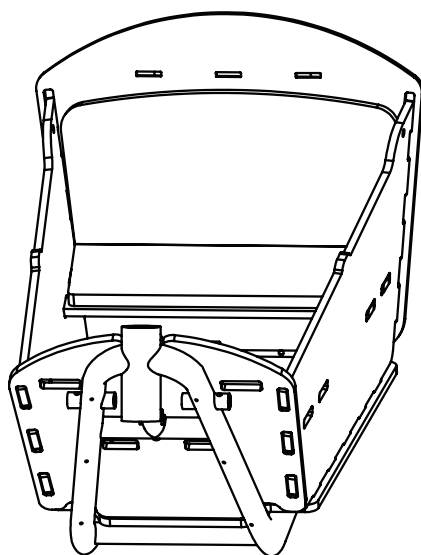


SuperMarché Bamboo Box Seat

Child Seat Bamboo Box Accessory



yuba[®]
what a bicycle can do!

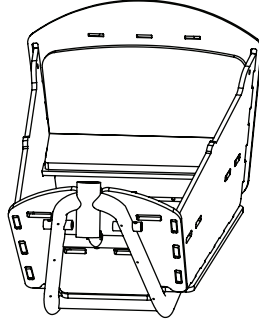
SuperMarché Box Seat

Child Seat Bamboo Box Accessory



Contents

- (1) Seat Board
- (1) Super Soft Spot
- (1) Seat Belt
- (1) Felt Strip



Compatibility

SuperMarché

Note:

Installed Base Board and Bamboo Box required for assembly (purchase separately)

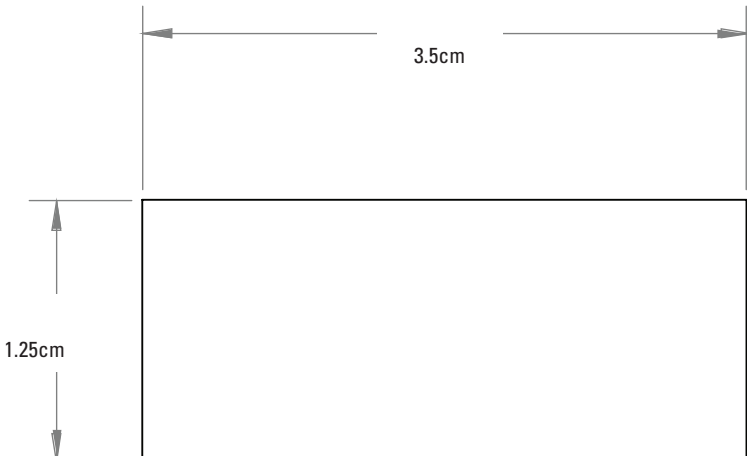
Recommended:

Two people for assembly

Instructions

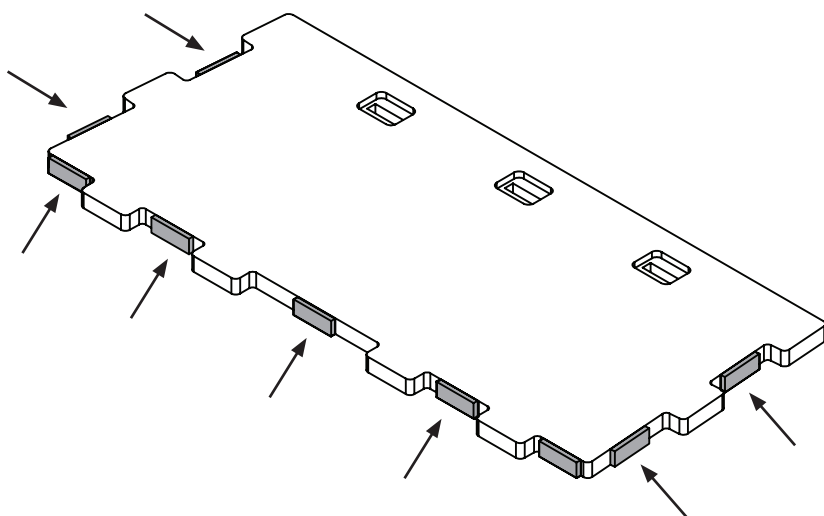
1. Cut adhesive backed felt into seven 3.5 by 1.25 cm (1.375 by 0.6in.) rectangles

Figure 1.



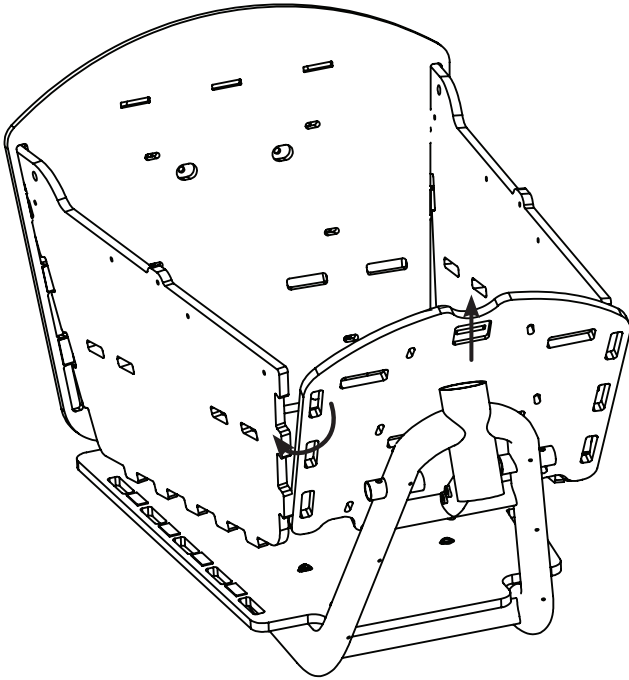
2. Remove paper backing from adhesive backed felt squares. Place on Back, and Side Boards between the indexing cutouts, as shown in Figure 2.

Figure 2.



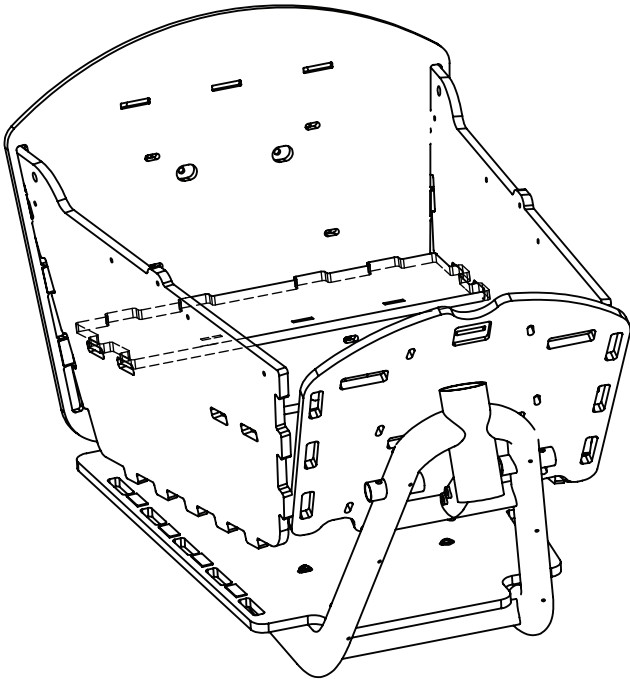
3. Remove screws and washers from Front Board and set aside.
4. Lift Front Board and unindex one Side Board from slots in the Front Board as seen below in Figure 3.

Figure 3.



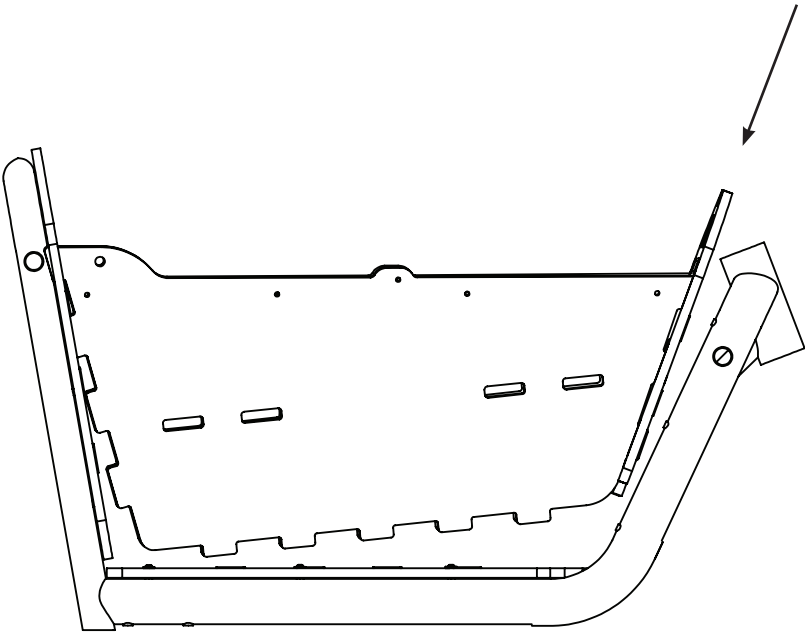
5. While holding the Front Board and Side Boards elevated, insert the seat into the indexing slots in the Side and Back Boards as seen below in Figure 4.

Figure 4.



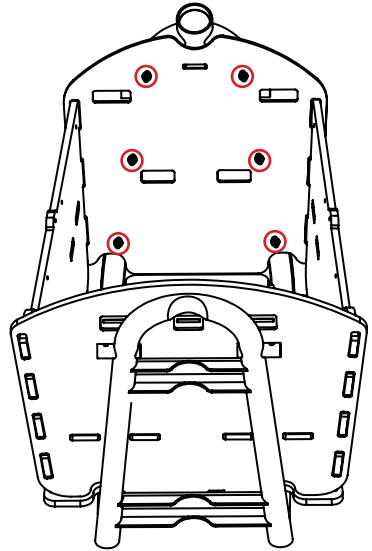
6. Index the Side Board back into the Front Board, and lower the assembly until the Side Boards index into the Base Board.

Figure 5.



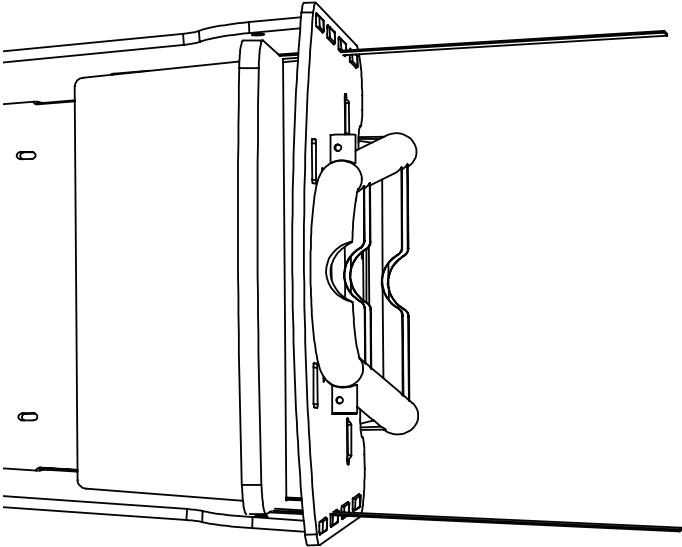
7. Insert screws, with washers, through the slots in the Front Boards and into the frame, as seen in Figure 6. Tighten to 2 N-m, taking care not to overtighten and damage the bamboo.

Figure 6.



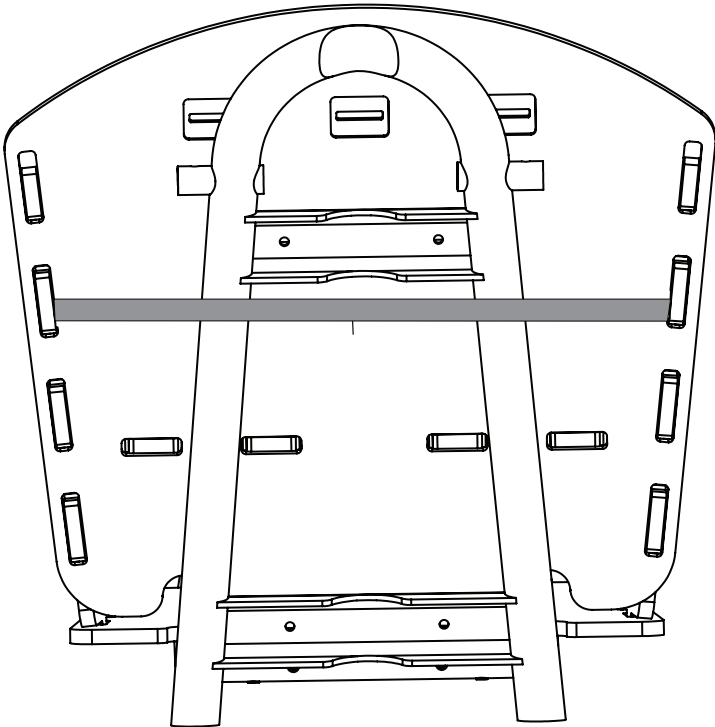
- Place the Super Soft Spot on the Seat Board, and thread the straps on the back pad through the slots in the Back Board as seen below in Figure 7. Thread the seat pad straps in a similar fashion through the gap between the Seat and Side Boards.

Figure 7.



9. Fasten the hook and loop sections of the Super Soft Spot strap underneath the Seat Board, and fasten the hook and loop section of the back pad straps over the frame as seen below in Figure 8.

Figure 8.



10. Insert the upper seatbelt buckle horizontally through the slot in the Back Board as seen in Figure 9a.

Once fully inserted, rotate the buckle until it is vertical, and pull the seatbelt from the inside of the box until the buckle nests in the cut out in the Back Board as seen in Figure 9b.

Lift seat pad and repeat step to insert lower seatbelt buckle into Seat Board.

Figure 9a.

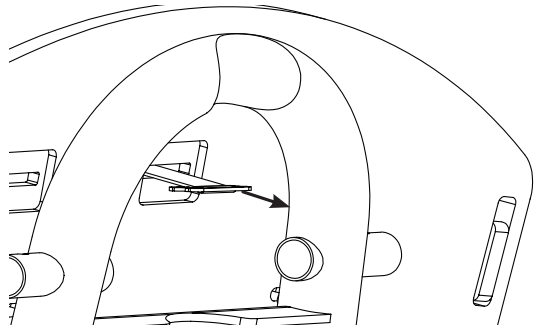
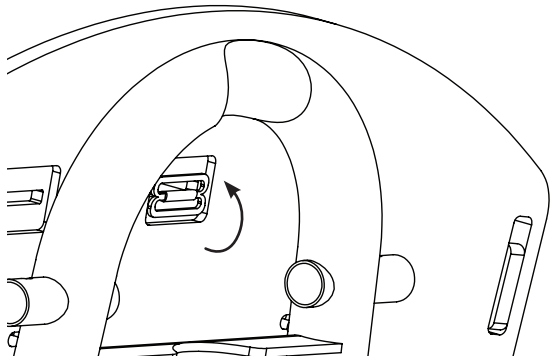


Figure 9b.



SuperMarché Bamboo Seat Kit

Frame Mounted Front Box



Warnings and Safety Precautions

General warnings

- **WARNING!** Failure to comply with these instructions may lead to serious injury or death.
- **WARNING!** Failure to comply with these instructions may void warranty of accessories or frame.
- **WARNING!** Riding with an additional passenger may alter the riding characteristics of your bicycle, decrease stability, and increase braking distances.
- **WARNING!** Never leave a child unattended in the Bamboo Box.
- **WARNING!** Do not use with children who are too small or cannot balance/support their own weight independently.
- Do not allow passengers body, clothing, shoe laces or other personal items to come in contact with moving parts of the bicycle.
- Passenger should remain seated while bicycle is in motion.
- Ensure passenger is wearing an approved bicycle helmet.
- Never ride in inclement or hazardous situations.
- Ensure a rear reflector is installed and visible when a passenger is aboard.
- Never ride a bicycle at night without adequate lighting.
- Presence of an additional passenger may require alteration of the method used by the rider to mount or dismount the bicycle. Care must be taken whenever the rider gets on or off the bicycle.

Specific hardware and component warnings

- **WARNING!** Overloading bolts may cause damage to bamboo.
- **WARNING!** Regularly check bolts for loosening, signs of distress, and wear and tear. If bolts or threads show signs of distress, order replacement parts immediately. Do not use if parts are cracked or damaged.
- **WARNING!** Regularly check bamboo panels, buckles, and seatbelt for cracks, rips, or dents, and replace if damaged.

For questions or support please contact your local Yuba Bicycles dealer or email info@yubabikes.com.

