

# BODA BODA PEGS

Foot support for children

Compatible with Boda Boda V3

43 kg / 95 lbs maximum passenger weight

Not intended for standing



## Contents

(2) Boda Boda V3 Pegs

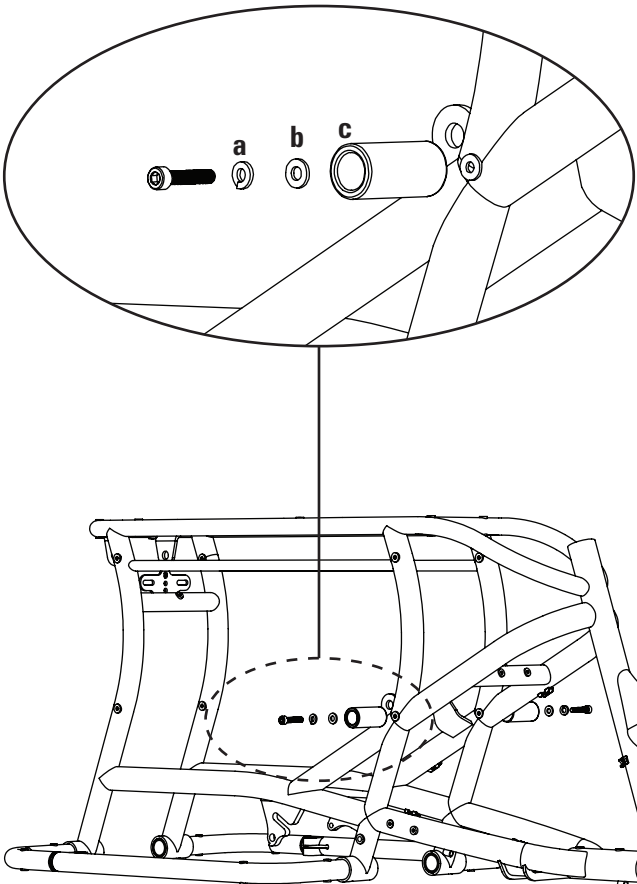
(2) Lock washers

(2) 35mm bolts w/thread lock

(2) Flat washers

## Instructions

1. Remove bolts from frame tubes as necessary
2. Insert 35mm bolt through (a) lock washer, (b) flat washer, (c) Boda Boda Peg and into frame eyelet
3. Tighten all fasteners



# BODA BODA PEGS

Foot support for children

Compatible with Boda Boda V3

43 kg / 95 lbs maximum passenger weight

Not intended for standing



## Warnings and Safety Precautions

### *General warnings*

- **WARNING!** Failure to comply with these instructions may lead to serious injury or death.
- **WARNING!** Riding with an additional passenger may alter the riding characteristics of your bicycle, decrease stability, and increase braking distances.
- **WARNING!** Never leave a child unattended on the back of a bicycle.
- **WARNING!** Do not use with children who are too small or cannot balance/support their own weight independently.
- Do not allow passengers body, clothing, shoe laces or other personal items to come in contact with moving parts of the bicycle.
- Passenger should remain seated while bicycle is in motion.
- Ensure passenger is wearing an approved bicycle helmet.
- Never ride in inclement or hazardous situations.
- Ensure a rear reflector is installed and visible when a passenger is aboard.
- Never ride a bicycle at night without adequate lighting.
- Presence of an additional passenger may require alteration of the method used by the rider to mount or dismount the bicycle. Care must be taken whenever the rider gets on or off the bicycle.

### *Additional hardware and component warnings*

- **WARNING!** Not intended for standing.
- **WARNING!** Check bolts for loosening or signs of distress regularly. If bolts or threads show signs of distress, order replacement parts immediately.
- **WARNING!** Use Wheelskirts when riding with passengers.
- Check Boda Boda Pegs for signs of wear and tear. Do not use if Pegs are damaged.

For questions or support please contact your local Yuba Bicycles dealer or email [info@yubabikes.com](mailto:info@yubabikes.com).