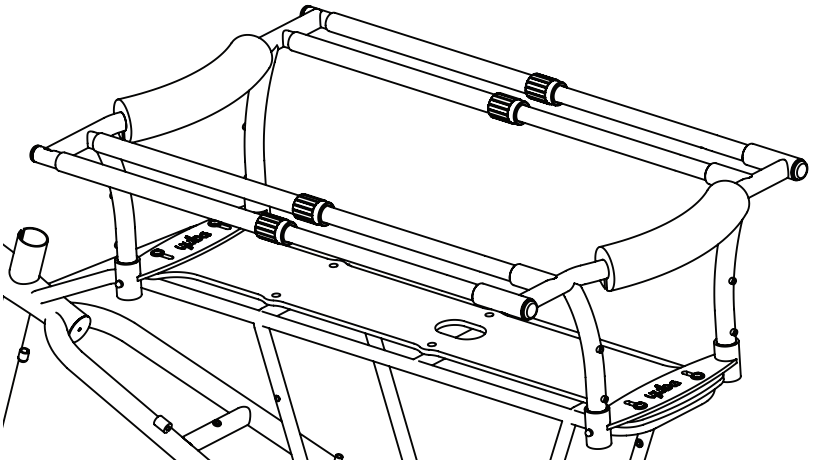


ADJUSTABLE MONKEY BARS

Passenger Safety Enclosure

The perfect way to keep up to two little monkeys secure and confident while ride your Yuba bike



yuba[®]
what a bicycle can do!

ADJUSTABLE MONKEY BARS

Passenger Safety Enclosure

The perfect way to keep up to two little monkeys secure

and confident while riding your Yuba bike

Recommended: 4-9 years old

Compatible with most Yuba models²

yuba[®]
what a bicycle can do!

Contents

2 Mounting plates

1 Front support

1 Rear support

4 Telescoping tubes

1 Bar tape

4 Bar tape tape

For Boda Boda, All Terrain,

Mundo Classic, or Spicy/Sweet Curry

4 M5x25 machine screws (with low strength thread lock)

4 M5 washers

2 Hand supports (for installation with child seat)

2 M6 Lock nuts

2 M6x32 machine screws (with low strength thread lock)

4 M6 washers

For Boda Boda Original, Mundo LUX

4 M6x25 machine screws (with low strength thread lock)

4 M6 Lock nuts

4 M6 washers

Required for installation

4mm or 5mm allen key

Adjustable or 10mm wrench¹

Pipe cutter or hack saw³

Deck⁴

Instructions

*****COMPATIBILITY NOTE*****

1. For the Boda Boda Original only, the telescoping bars need to be shortened. For all other bikes, skip to step 2.

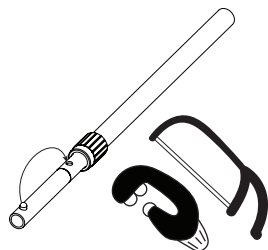
a. Put on a pair of safety glasses!

b. Remove the spring clip inside of the smaller tube of the telescoping bars.

c. With a 1/4" drill bit for aluminum, enlarge the pilot hole

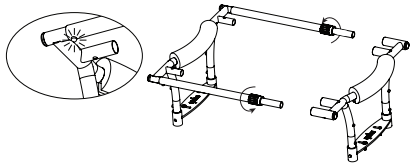
d. Using a pipe cutter or hack saw, cut the small tube at the laser-etched cut mark. Remove any burrs with a rasp. For questions, contact your local bike shop or info@yubabikes.com.

e. Insert the spring clip into the remaining hole.

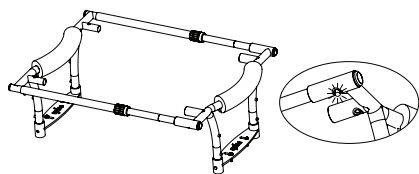


For installation with child seat (not included)

2a. Loosen two twist locks and insert telescoping tubes onto outermost bar ends. Depress the spring clips and check to make sure that they click into place (see figure).

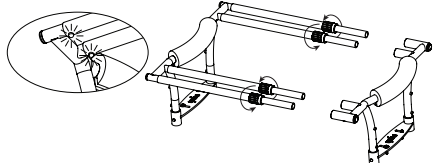


3a. Extend the smaller tubes and insert into the rear support. Depress the spring clips and check to make sure they click into place.

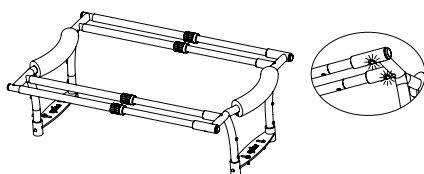


For installation without child seat

2b. Loosen all four twist locks and insert telescoping tubes onto the bar ends. Depress the spring clips and check to make sure that they click into place (see figure).



3b. Extend the smaller tubes and insert into the rear support. Depress the spring clips and check to make sure they click into place. Proceed to step 4.



1 Boda Boda Original only

2 Excludes the Supermarché, Mundo V1/V2/V3, and Flip Flop

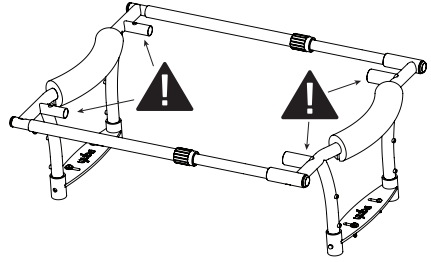
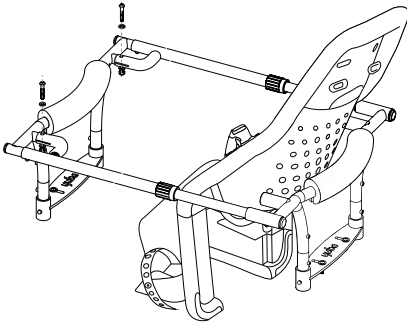
3 Boda Boda Original and V1 only

4 Sold separately, excluding the Boda Boda Original

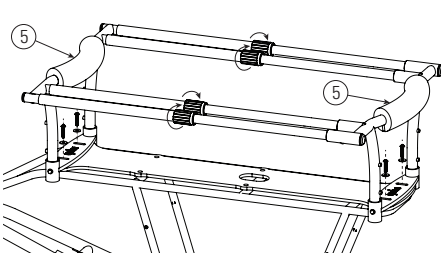
3c. Remove the end cap and spring clip from the inner bar ends of the front main support. Slide the hand supports onto the inner front bar ends. Using an M6 thru bolt, 2 washers, and nylon locknut, secure the handles in place. Install child seat in rear position.



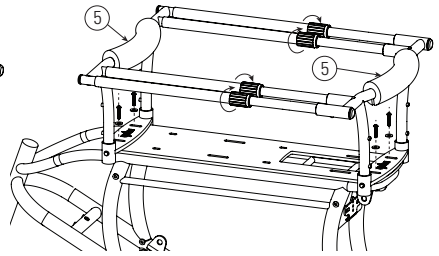
WARNING: NEVER ALLOW A PASSENGER TO RIDE IN THE MONKEY BARS WITH THESE BAR ENDS EXPOSED.



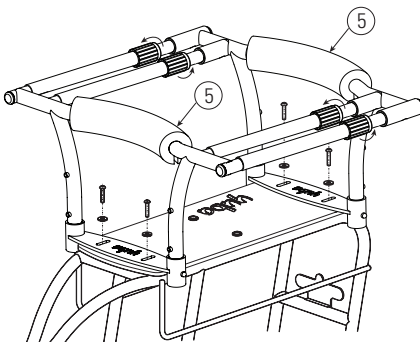
4. Remove bolts and nuts from the top of the bicycle rack as necessary.
5. Wrap bartape on curved sections of front and rear supports.
6. Position the supports as shown in the figures below. The top tube of each support should curve away from the rider.
7. Insert bolt through top deck and into frame and tighten to 4-5 N-m torque. Secure with a nylon locknut for the Boda Boda Original.
8. Tighten twist locks.



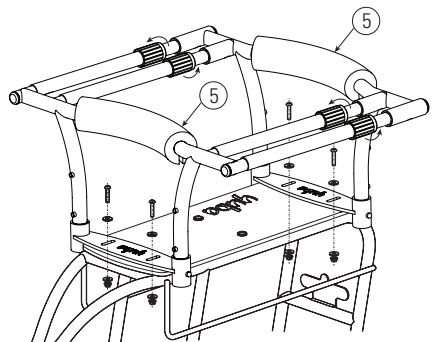
Mundo Classic and LUX



**Boda Boda, All Terrain,
Spicy/Sweet Curry**



Boda Boda V1



Boda Boda Original

Warnings and Safety Precautions

General warnings

- **WARNING!** Failure to comply with these instructions may lead to serious injury or death.
- **WARNING!** Riding with an additional passenger may alter the riding characteristics of your bicycle, decrease stability, and increase braking distances.
- **WARNING!** Never leave a child unattended on the back of a bicycle.
- **WARNING!** Do not use for children who are too small or cannot balance/support their own weight independently.
- Do not allow passengers body, clothing, shoe laces or other personal items to come in contact with moving parts of the bicycle
- Passenger should remain seated while bicycle is in motion.
- Ensure passenger is wearing an approved bicycle helmet.
- Never ride in inclement or hazardous situations.
- Ensure a rear reflector is installed and visible when a passenger is aboard.
- Never ride a bicycle at night without adequate lighting.
- Presence of an additional passenger may require alteration of the method used by the rider to mount or dismount the bicycle. Care must be taken whenever the rider gets on or off the bicycle.
- Maximum passenger weight 43kg/95lbs. Regularly check passenger weight does not exceed this limit.
- **WARNING!** Never allow a passenger to ride with the bar ends exposed.

Additional hardware and component warnings

- **WARNING!** Check bolts for loosening or signs of distress regularly. If bolts show signs of distress order replacement parts immediately.
- **WARNING!** Use Wheelskirts or wheel protection (such as approved bags) when riding with passengers.
- Make no modifications to the Adjustable Monkey Bars.
- Check the Adjustable Monkey Bars for signs of wear and tear. Do not use if there is visible damage.
- Do not install on frontmost or rearmost positions of incompatible Mundo decks (see photo).
- Use bolts with low strength locking adhesive or with nylon locknuts¹.

